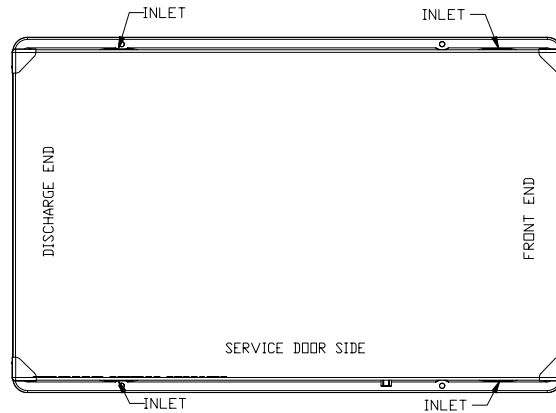
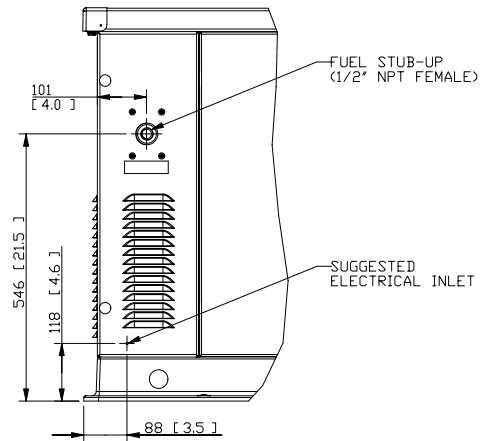


SCALE 0.125

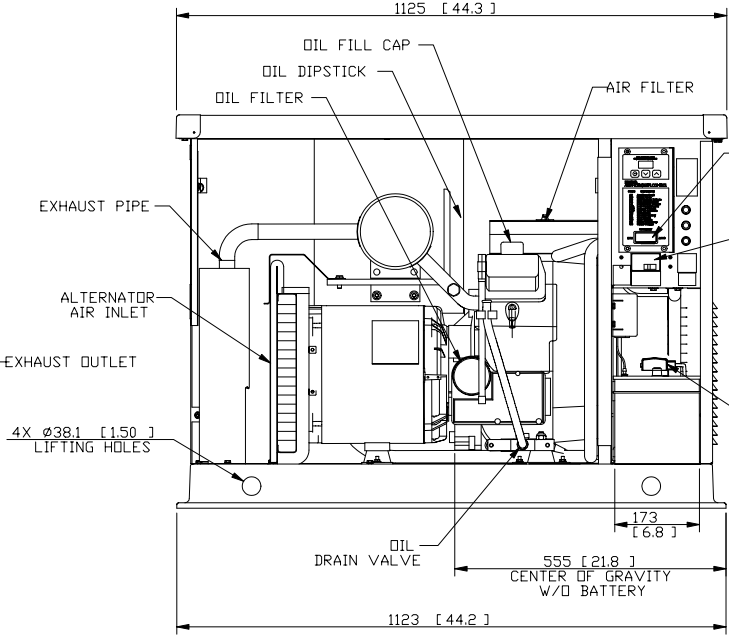
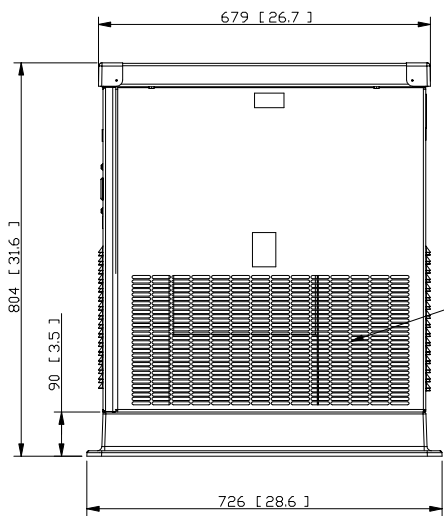
← EXHAUST



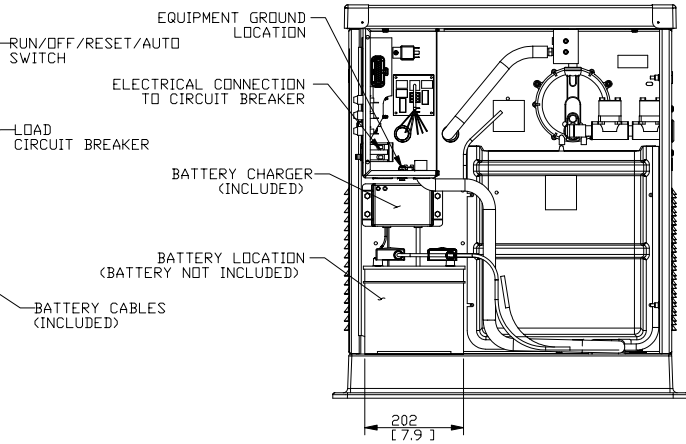
INLET



VIEW A-A



FRONT VIEW
(DOOR & SIDE PANEL
REMOVED TO SHOW DETAIL)



RS VIEW
(END PANEL REMOVED
TO SHOW DETAIL)

NOTE: DIMENSIONS IN [] ARE INCH EQUIVALENTS

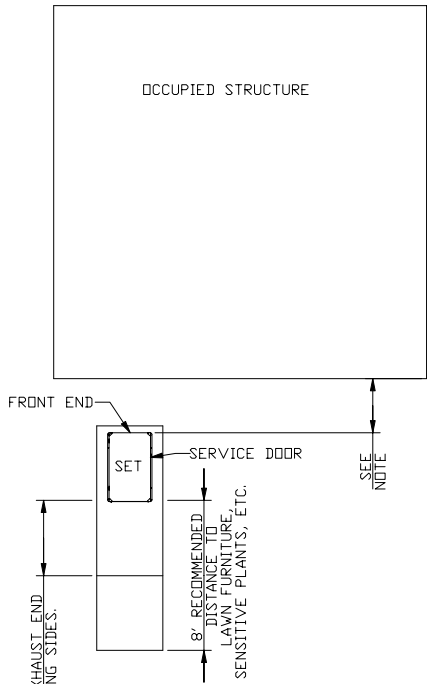
WEIGHT W/D BATTERY: 182Kg [400LBS]

REV	DATE	REVISION	BY	UNLESS OTHERWISE SPECIFIED - 1 DIMENSIONS ARE IN MILLIMETERS 2 TOLERANCES AND 3 XX ± YZ SURFACE FINISH 4 ANGLES ± 0° 30'	THIS IS A METRIC DRAWING	APPROVALS	DATE	SCALE	DWG NO.	SHEET	OF
F	12-16-05	SEE SHEET 2 OF 3. [76477]	GFR								
G	10-30-06	SEE SHEET 3 OF 3. (A-7) 726 WAS 774 (C-7) 679 WAS 675 (B-8) 804 WAS 840 (A-8) 90 WAS 76 (A-6) Ø38.1 WAS Ø38 (A-4) 1123 WAS 1079 (A-4) 555 WAS 533 (A-2) 202 WAS 210 (C-2) 88 WAS 60 & 118 WAS 154 (D-3) 546 WAS 588 [79265]	GFR								
H	5-7-07	(B-6) EXHAUST PIPE WAS EXHAUST PIPE W/ SPARK ARRESTOR (C-5) 1125 [44.3] WAS 1123 [44.2] [81075]	GFR								

KOHLER CO. METRIC PRO-E
POWER SYSTEMS, KOHLER, WI 53044 U.S.A.
THIS DRAWING IN DESIGN AND DETAIL IS KOHLER CO.
PROPERTY AND MUST NOT BE USED EXCEPT IN
CONNECTION WITH KOHLER CO. WORK. ALL RIGHTS OF
DESIGN OR INVENTION ARE RESERVED.

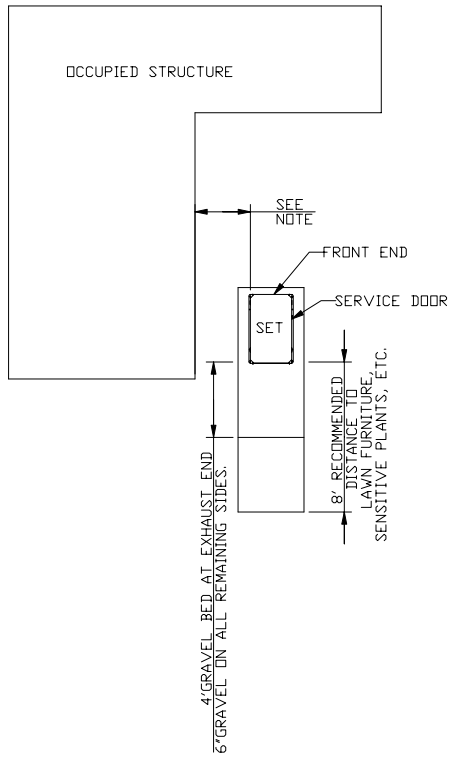
TITLE: DIMENSION PRINT

SCALE: 20X DWG NO.: ADV-6823 SHEET 1 OF 3

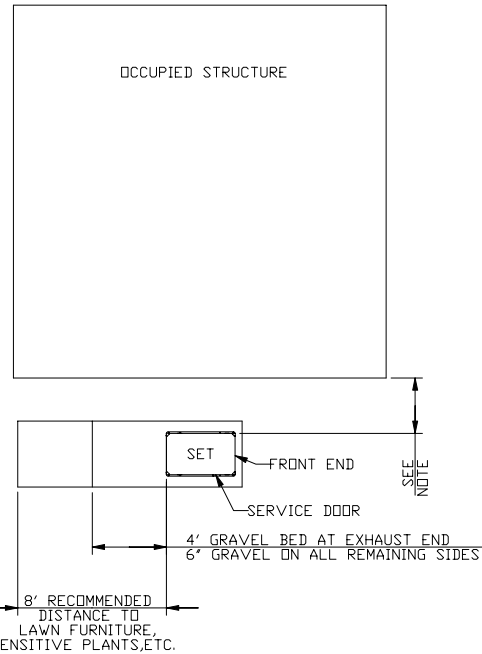


PREFERRED

- 1) EXHAUST IS COMPLETELY AIMED AWAY FROM THE STRUCTURE.
- 2) EXHAUST IS NOT DIRECTED AT PLAY AREAS, PATIOS OR OTHER AREAS WHERE PEOPLE CONGREGATE.
- 3) THE NEAREST WINDOW, VENT, DOOR OR SIMILAR STRUCTURE OPENING IS AT LEAST 5' FROM THE EXHAUST END OF THE SET.
- 4) SET HAS PROPER OFFSET FROM STRUCTURE.
- 5) WINDOWS & DOORS ON ADJACENT WALLS ARE CLOSED.
- 6) FURNACE AND OTHER SIMILAR INTAKES ARE AT LEAST 10' FROM EXHAUST END OF SET.
- 7) WEED BARRIER AND 3" THICK GRAVEL BASE LOCATED TO PREVENT GRASS & WEEDS FROM GROWING TOO CLOSE TO THE SET.
- 8) NO PLANTS, SHRUBS OR OTHER COMBUSTIBLES ALLOWED IN GRAVEL AREA.
- 9) SENSITIVE PLANTS, PATIO FURNITURE, ETC. ARE AT LEAST 8' FROM EXHAUST END OF SET.
- 10) REFER TO OWNERS MANUAL FOR OTHER INSTALLATION CONSTRAINTS.

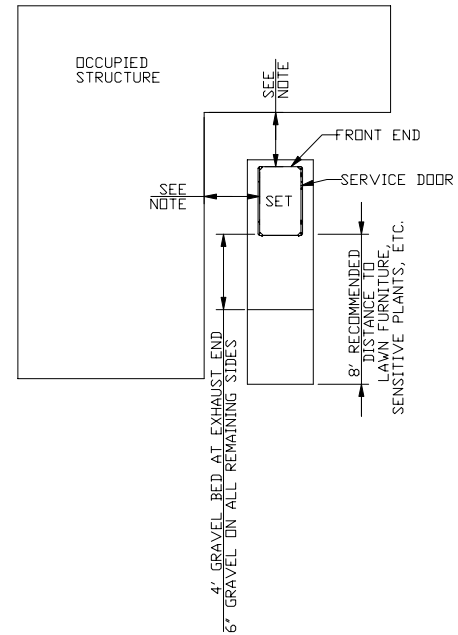


NOTE:
THE RECOMMENDED DISTANCE FROM A STRUCTURE IS DEPENDENT ON STATE AND LOCAL CODES. NFPA 37, STANDARDS FOR THE INSTALLATION AND USE OF STATIONARY COMBUSTION ENGINES AND GAS TURBINES, STATES THIS DISTANCE SHOULD BE AT LEAST 5 FEET FROM A COMBUSTIBLE MATERIAL. FOR INSTALLATIONS NEAR NON-COMBUSTIBLE MATERIAL BE SURE TO LEAVE A MINIMUM DISTANCE OF 3 FEET TO ENSURE PROPER GENERATOR COOLING.

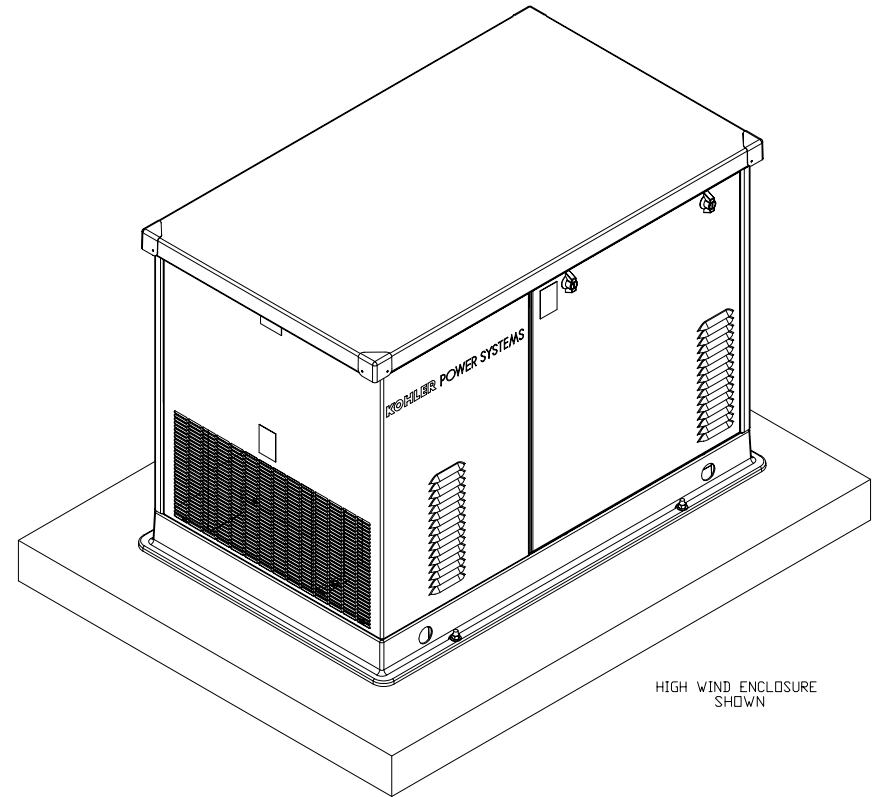
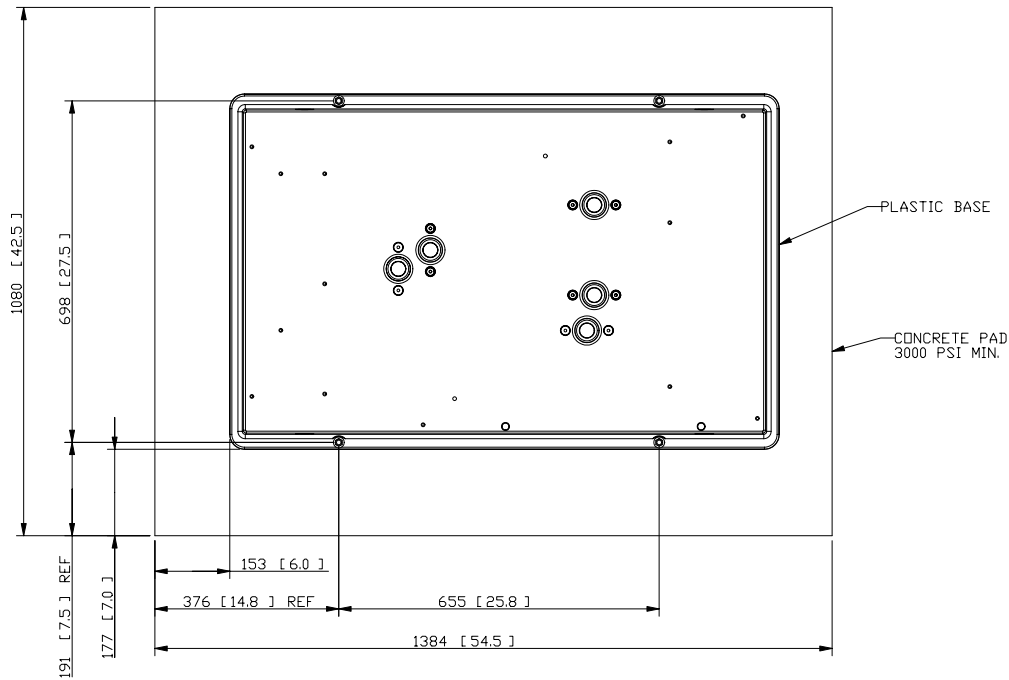


ACCEPTABLE

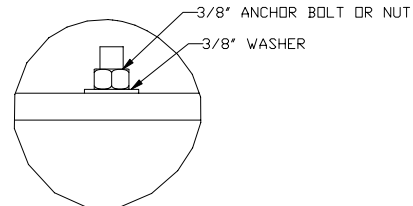
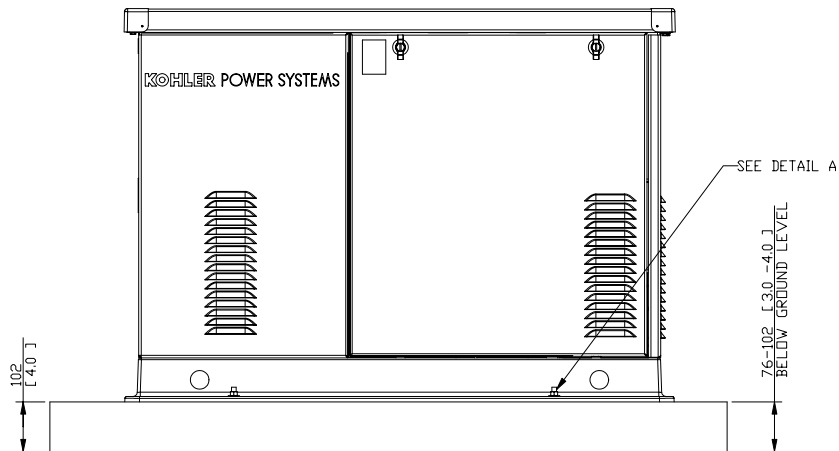
- 1) EXHAUST IS AIMED AWAY OR PARALLEL TO STRUCTURE.
- 2) EXHAUST IS NOT DIRECTED AT PLAY AREAS, PATIOS OR OTHER AREAS WHERE PEOPLE CONGREGATE.
- 3) THE NEAREST WINDOW, VENT, DOOR OR SIMILAR STRUCTURE OPENING IS AT LEAST 5' FROM THE EXHAUST END OF THE SET.
- 4) SET HAS PROPER OFFSET FROM STRUCTURE.
- 5) WINDOWS & DOORS ON ADJACENT WALLS ARE CLOSED.
- 6) FURNACE AND OTHER SIMILAR INTAKES ARE AT LEAST 10' FROM EXHAUST END OF SET.
- 7) WEED BARRIER AND 3" THICK GRAVEL BASE LOCATED TO PREVENT GRASS & WEEDS FROM GROWING TOO CLOSE TO THE SET.
- 8) NO PLANTS, SHRUBS OR OTHER COMBUSTIBLES ALLOWED IN GRAVEL AREA.
- 9) SENSITIVE PLANTS, PATIO FURNITURE, ETC. ARE AT LEAST 8' FROM EXHAUST END OF SET.
- 10) REFER TO OWNERS MANUAL FOR OTHER INSTALLATION CONSTRAINTS.



REV	DATE	REVISION	BY	UNLESS OTHERWISE SPECIFIED - 1) DIMENSIONS ARE IN MILLIMETERS 2) TOLERANCES AND 3) SURFACE FINISH								
F	12-16-05	(B-4) DISTANCE NOTE ADDED. (C-3,7) & (D-15) SEE NOTE WAS 3 FT. [76477]	GFR	XX ± 1/16 XXX ± 1/32								
G	10-30-06	SEE SHEETS 1 & 3 OF 3 [79265]	GFR	ANGLES ± 0° 30'								
H	5-7-07	SEE SHEET 1 OF 3 [81075]	GFR	MAX.								
<table border="1"> <tr> <td>APPROVALS</td> <td>DATE</td> </tr> <tr> <td>DRAWN</td> <td>MRS 4-30-04</td> </tr> <tr> <td>CHECKED</td> <td>AJB 4-30-04</td> </tr> <tr> <td>APPROVED</td> <td>AJB 4-30-04</td> </tr> </table>				APPROVALS	DATE	DRAWN	MRS 4-30-04	CHECKED	AJB 4-30-04	APPROVED	AJB 4-30-04	<p>KOHLER CO. METRIC PRO-E</p> <p>POWER SYSTEMS, KOHLER, WI 53044 U.S.A. THIS DRAWING IN DESIGN AND DETAIL IS KOHLER CO. PROPERTY AND MUST NOT BE USED EXCEPT IN CONNECTION WITH KOHLER CO. WORK. ALL RIGHTS OF DESIGN OR INVENTION ARE RESERVED.</p> <p>TITLE: DIMENSION PRINT</p> <p>SCALE: 20X CAD NO. SHEET 2 of 3</p> <p>FIG NO. ADV-6823</p>
APPROVALS	DATE											
DRAWN	MRS 4-30-04											
CHECKED	AJB 4-30-04											
APPROVED	AJB 4-30-04											



HIGH WIND ENCLOSURE SHOWN



DETAIL A
(TYP. 4 PLACES)
SCALE 1:000

NOTE:
BOLTED CONNECTION REQUIREMENTS
SHEAR LOAD 150 LBS/ BOLT
PULL-OUT FORCE 200 LBS/BOLT

150 MPH - HIGH WIND
MOUNTING DETAIL

REV	DATE	REVISION	BY	UNLESS OTHERWISE SPECIFIED - DIMENSIONS ARE IN MILLIMETERS	KOHLER CO. METRIC PRO-E POWER SYSTEMS, KOHLER, WI 53044 U.S.A. THIS DRAWING IN DESIGN AND DETAIL IS KOHLER CO. PROPERTY AND MUST NOT BE USED EXCEPT IN CONNECTION WITH KOHLER CO. WORK. ALL RIGHTS OF DESIGN OR INVENTION ARE RESERVED. TITLE:
F	12-16-05	SEE SHEET 2 OF 3. [76477]	GFR	2) TOLERANCES AND: XX ± .05 X ± .15 SURFACE FINISH ANGLES ± 0° 30' MAX.	
G	10-30-06	SEE SHEET 1 OF 3 (C-B) 698 WAS 712, 191 REF WAS 184 REF & 177 WAS 153 (B-7) 376 REF WAS 259 REF (B-6) 655 WAS 867 (A-5) 76-102 WAS 76.1-101.6 (B-3) 1/2" WASHER REMOVED [79265]	GFR	THIS TABLE HELD FOR	SCALE: 2X CAD NO.: ADV-6823 SHEET 3 of 3
H	5-7-07	SEE SHEET 1 OF 3 [81075]	GFR	APPROVALS DATE DRAWN BTW 9-1-05 CHECKED JMS 9-1-05 APPROVED J.JN 9-1-05	D